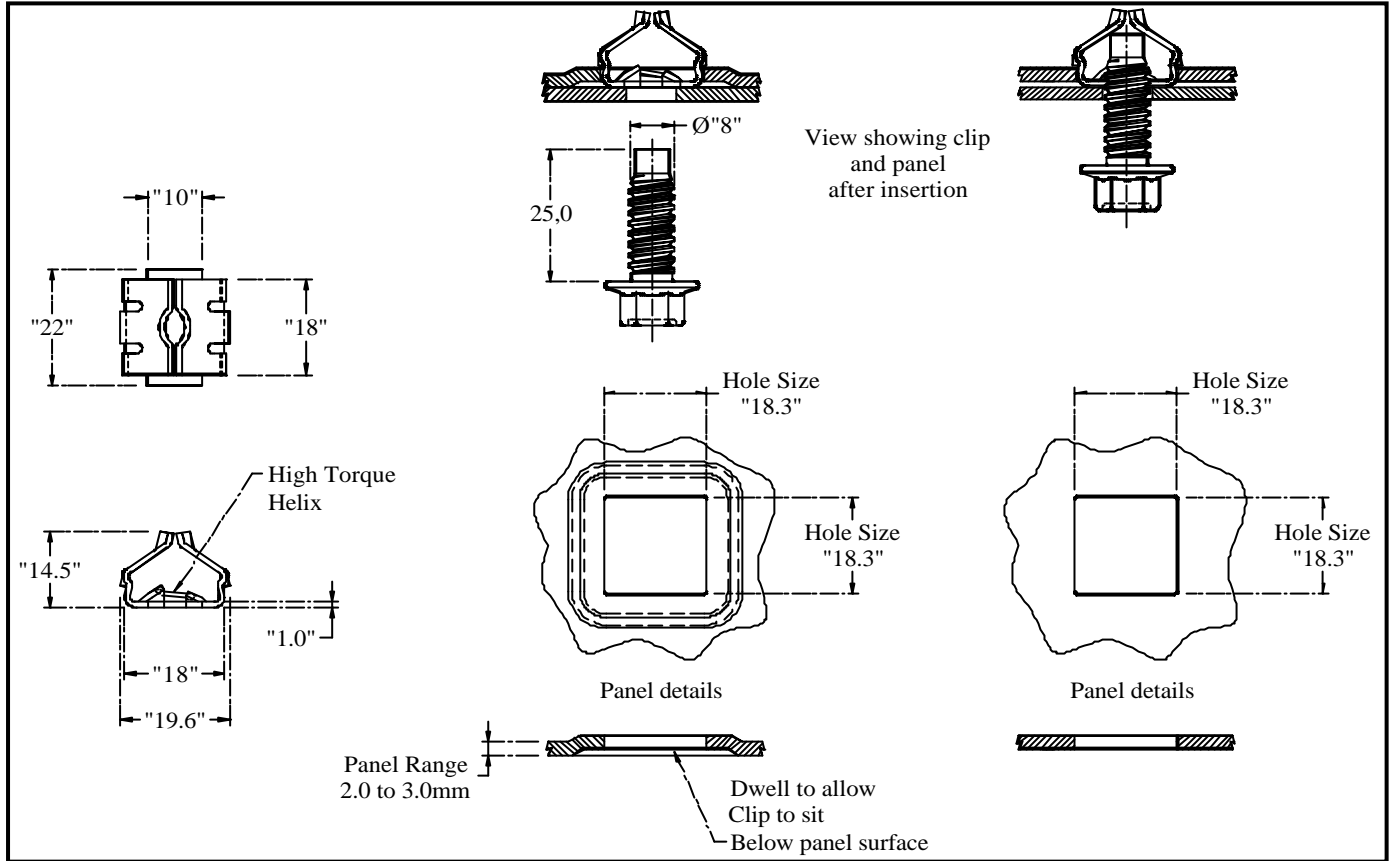


# High Torque (Front Loading) Clip

Suitable for Panel Range 2.0mm to 3.0mm



## Torque to Failure

Diameter	Newton / meters				Lbs Ft				Lbs in			
	MIN	MAX	MEAN	SD	MIN	MAX	MEAN	SD	MIN	MAX	MEAN	SD
8	27.5	35	30.84	1.84	20.28	25.81	22.75	1.36	243.4	309.78	272.96	16.33

## Clamp Load

Diameter	Newtons			Lbs Force			% Decrease	
	INITIAL	AFTER 30 MINS	AFTER 24 HRS	INITIAL	AFTER 30 MINS	AFTER 24 HRS	AFTER 30 MINS	AFTER 24 HRS
8	5874	5837	5776	1320.6	1312.2	1298.4	0.6	1.6

